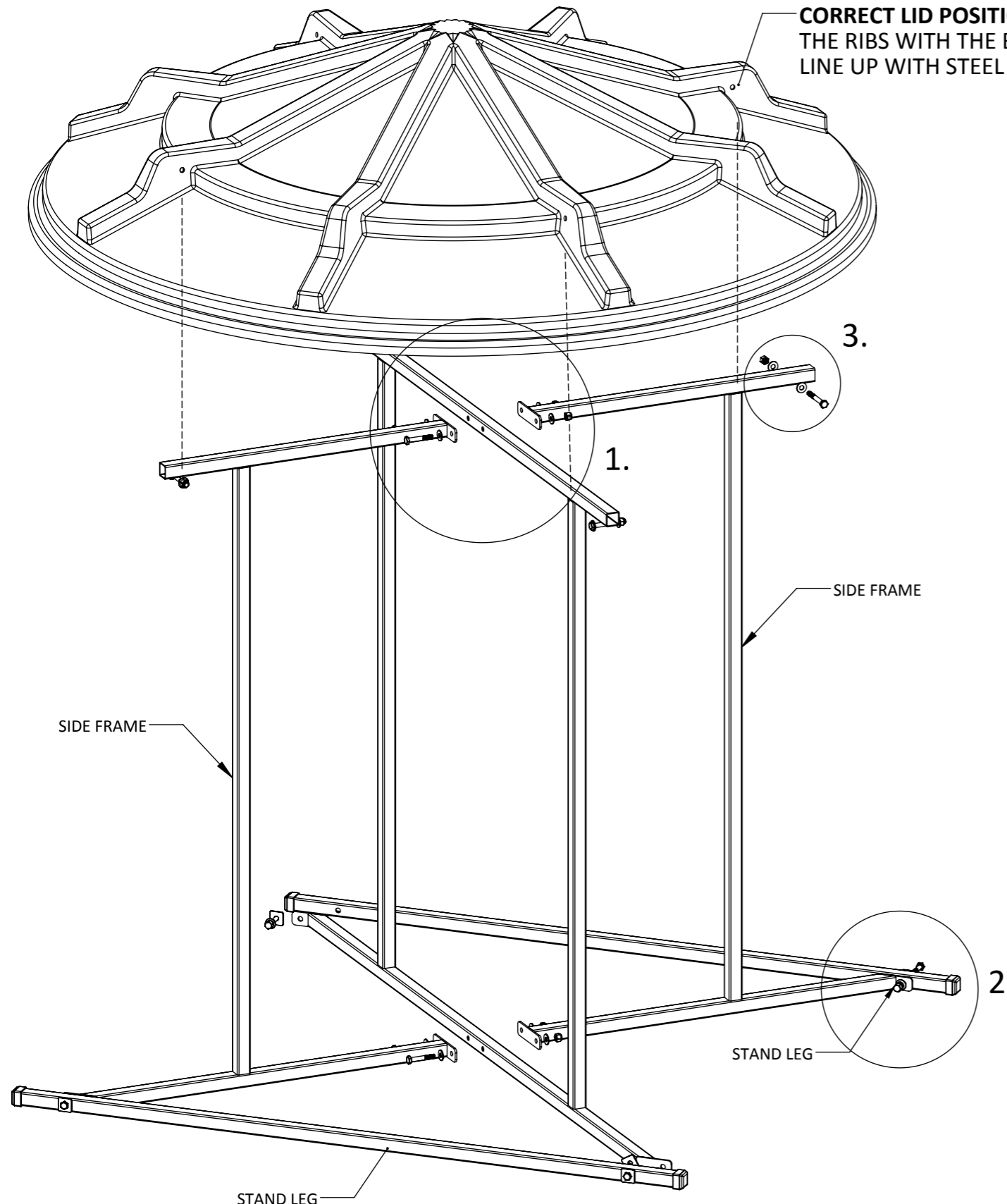
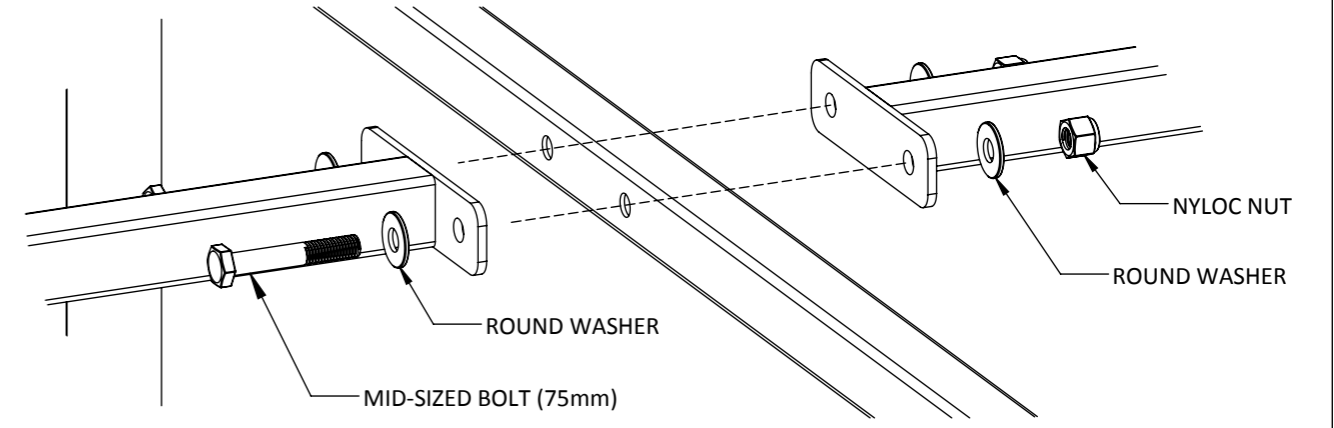


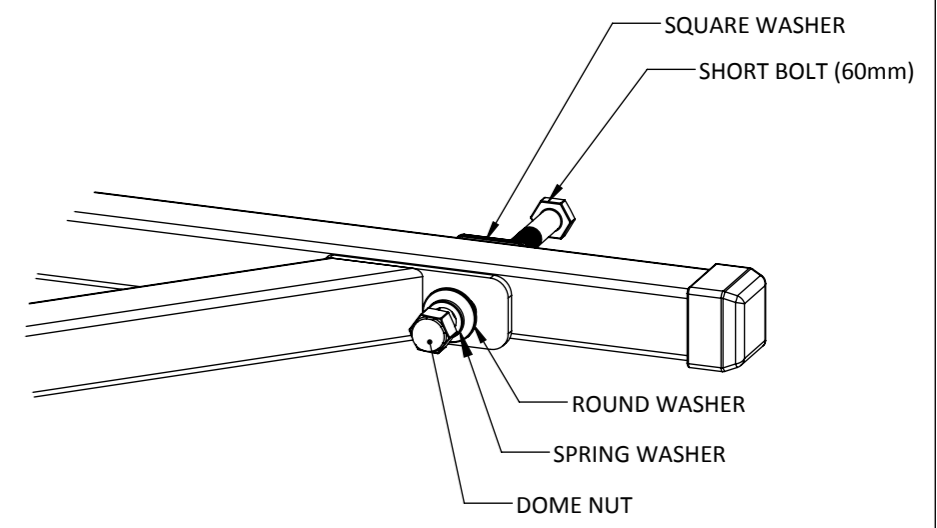
CORRECT LID POSITION.
THE RIBS WITH THE BOLT HOLES
LINE UP WITH STEEL WORK BELOW.



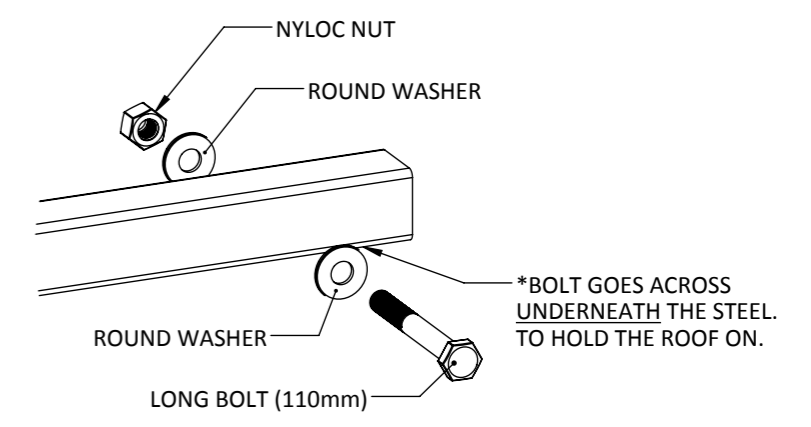
STEP 1:
BOLT THE SIDE FRAMES TO THE
BIG FRAME, TOP AND THE BOTTOM.



STEP 2:
BOLT THE STAND LEGS ON
AT THE BOTTOM



STEP 3:
BOLT THE ROOF ON.



NOTES:

FOR INFORMATION

REV	DATE	REVISION DESCRIPTION	DRAWN	CHKD	LEAD ENG
A	00.00.00	FOR INFORMATION	DH		



A.C.N. 010 028 547
Gough Industries Pty. Ltd.
833 Ingham Road
Bohle, Townsville
P.O. Box 7570, Garbutt BC, Qld. 4814.
Telephone 07 47747606
Facsimile 07 47747608

CLIENT LOGO.

S:\Products\Rural\Lickstand\Sales&Marketing\Lickstand Assembly Instruction

LICKSTAND ASSEMBLY INSTRUCTION

SCALE	A3	Gough Plastics Drg. No.	A	REV
-------	----	-------------------------	---	-----