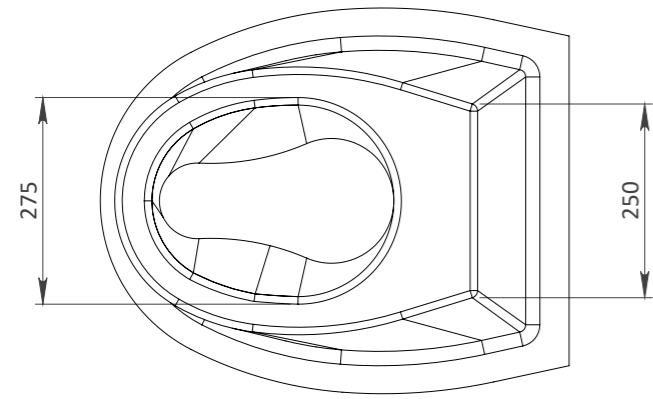
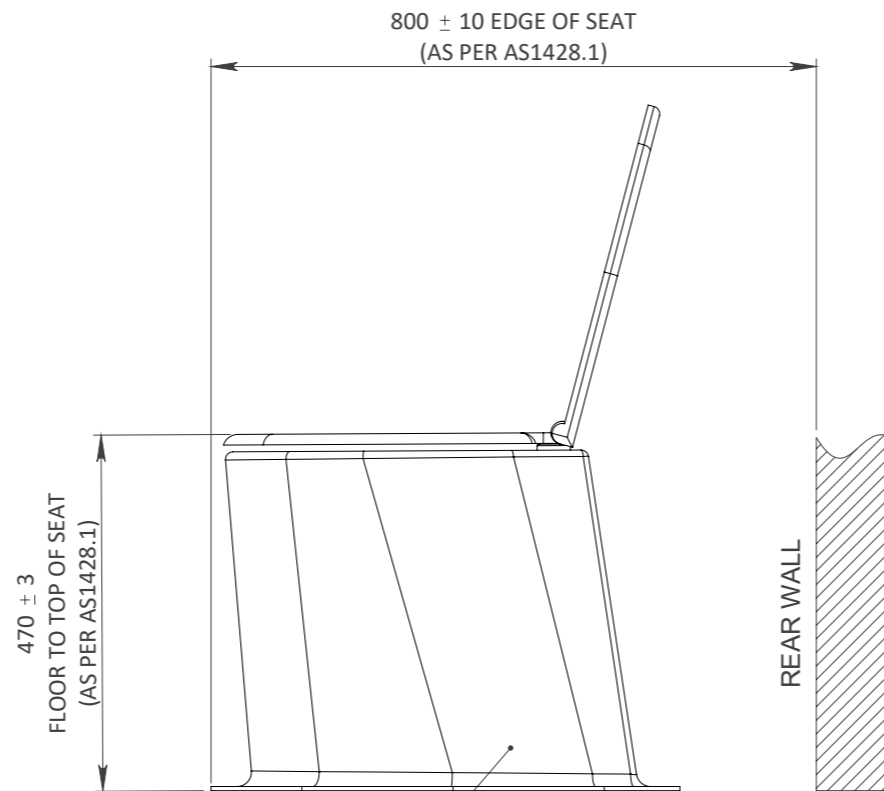


HYBRID TOILET SYSTEM - NONFLUSH DISABLED PEDESTAL & DROPPER TUBE DETAILS

TOLERANCES
UNLESS NOTED OTHERWISE
PLEASE ALLOW BELOW TOLERANCES
DIMENSIONS <200mm - ALLOW ± 5 mm
DIMENSIONS 200 - 1000mm - ALLOW ± 10 mm
DIMENSIONS >1000mm - ALLOW ± 15 mm

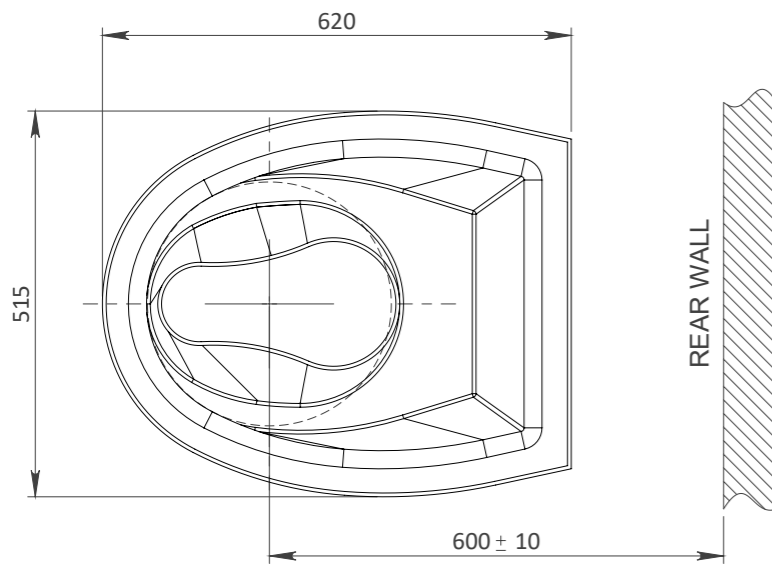


TOP VIEW

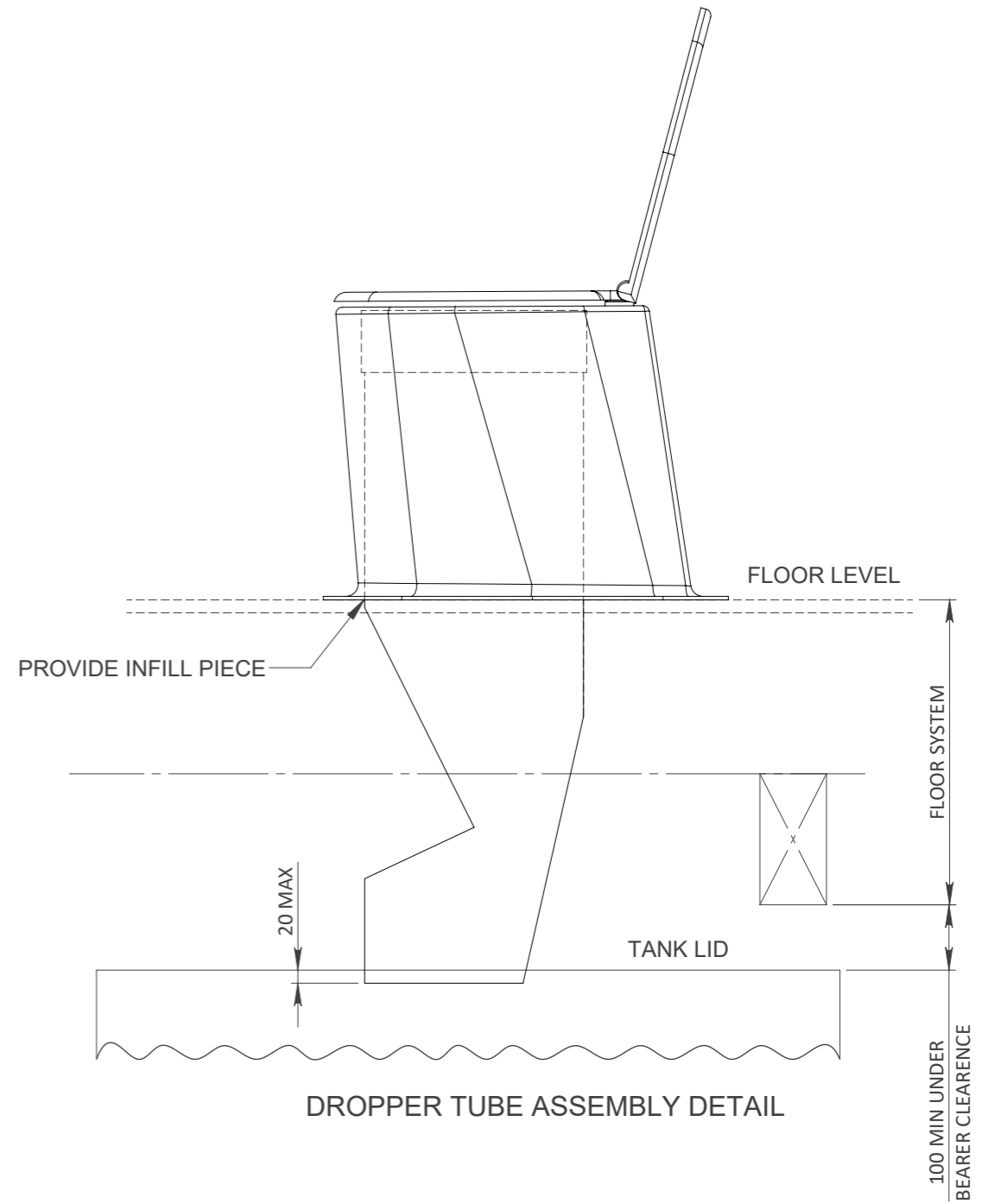


NON FLUSH
TOILET PEDESTAL

SIDE VIEW



BOTTOM VIEW



DROPPER TUBE ASSEMBLY DETAIL

DO NOT SCALE

0	13/01/2022	AS BUILT	MC	DH	
REV	DATE	REVISION DESCRIPTION	DRAWN	CHKD.	ENG.



A.C.N. 010 028 547
Gough Industries Pty. Ltd.
833 Ingham Road
Bohle, Townsville
P.O. Box 7570, Garbutt BC, Qld. 4814.
Telephone 07 47747606
www.gough.com.au

CLIENT LOGO.

GTLI-0000-12D

SCALE
NTS A3

GOUGH PLASTICS DRAWING No.

GTLI-0000-12D

REVISION
0

SOLDWORKS: S:\Solidworks\Environmental\Hybrid Toilet Systems\Non Flush Pedestal\Non Flush Assem

PDF. FILE PATH: S:\Products\Environmental\Production Environmental\Hybrid Toilet Systems\Installation & Maintenance (non QA)\NonFlush

Dimensions are in millimetres (mm) unless noted.