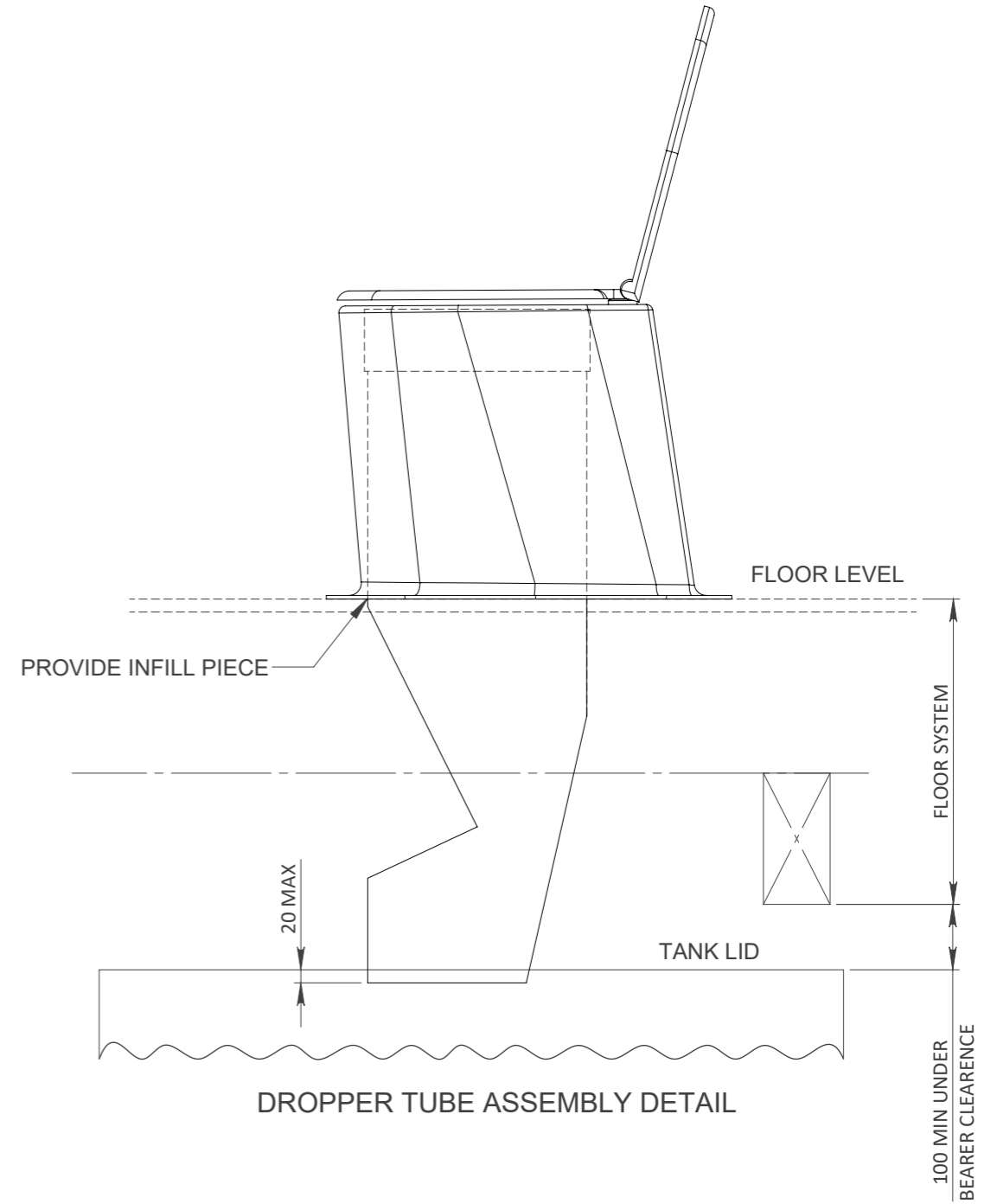
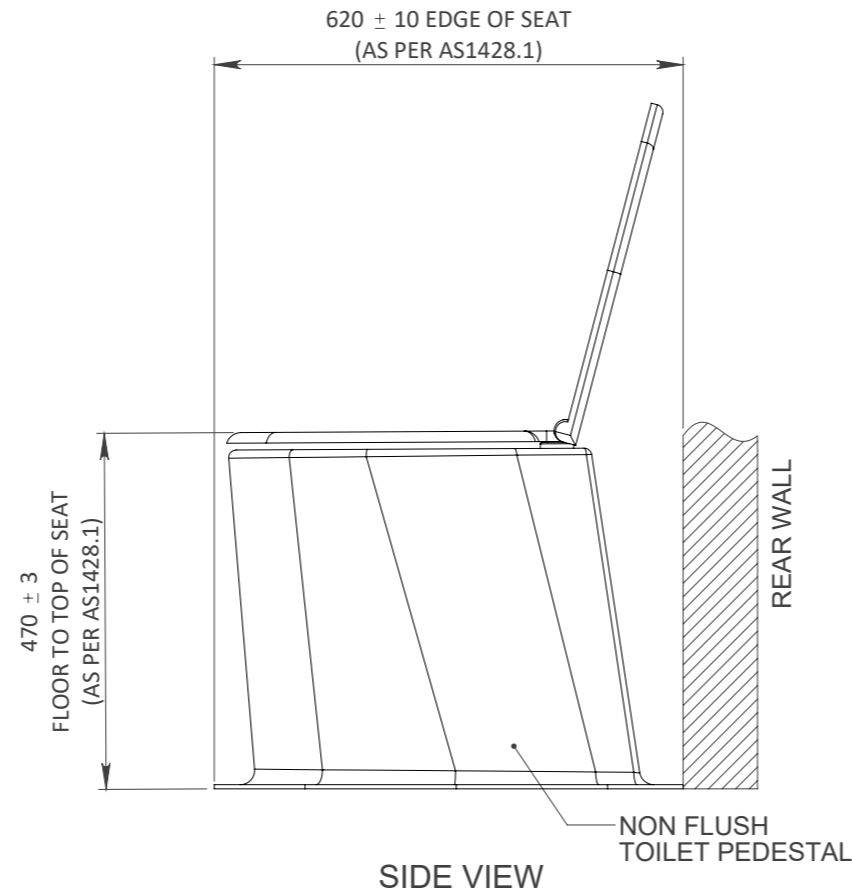
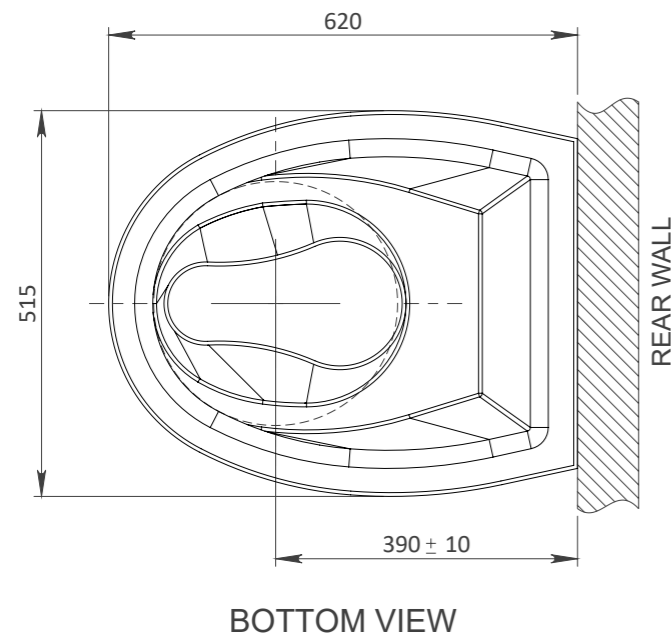
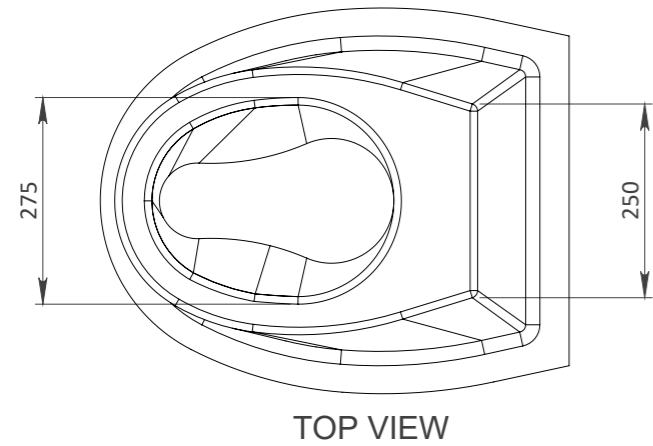


HYBRID TOILET SYSTEM - NON FLUSH STANDARD PEDEST & DROPPER TUBE DETAILS

TOLERANCES
UNLESS NOTED OTHERWISE
PLEASE ALLOW BELOW TOLERANCES
DIMENSIONS <200mm - ALLOW ± 5 mm
DIMENSIONS 200 - 1000mm - ALLOW ± 10 mm
DIMENSIONS >1000mm - ALLOW ± 15 mm



DO NOT SCALE

| | | | | | |
|-----|------------|----------------------|-------|-------|------|
| 0 | 13/01/2022 | AS BUILT | MC | DH | |
| REV | DATE | REVISION DESCRIPTION | DRAWN | CHKD. | ENG. |