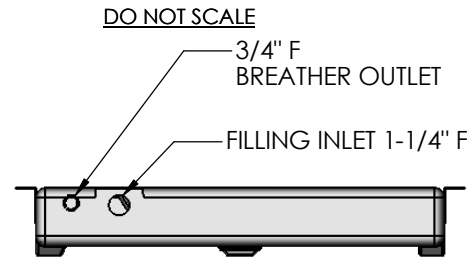


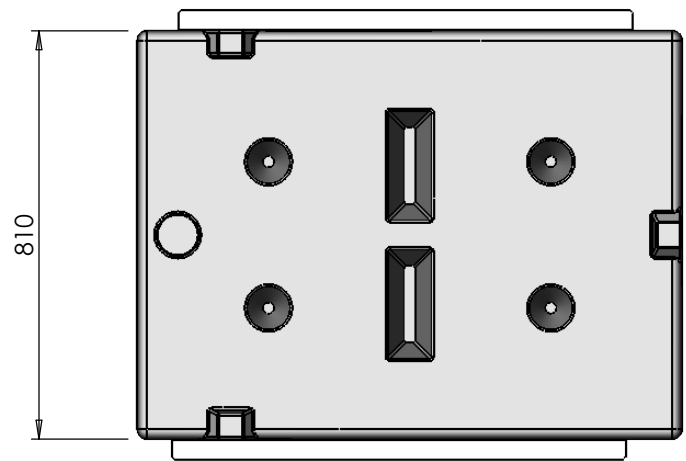
FRONT VIEW



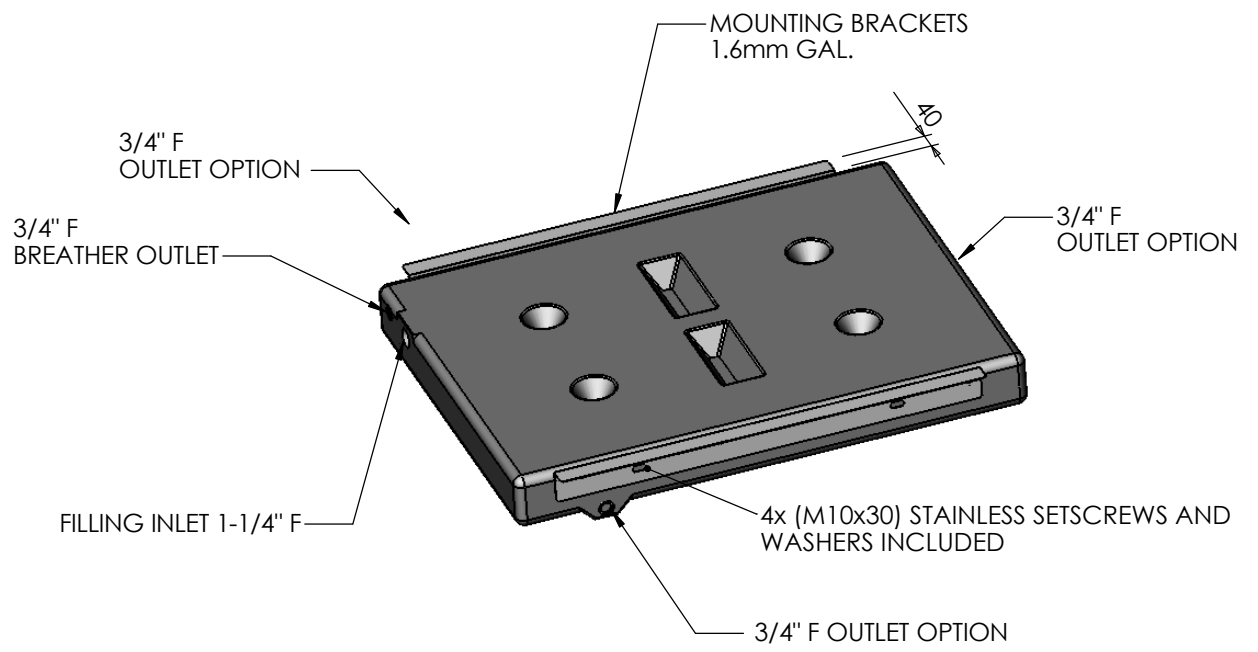
SIDE VIEW

DIMENSIONS MAY VARY BY PLUS OR MINUS 2.5% DUE TO THE ROTATIONAL MOULDING PROCESS

- 1/2" BSP BRASS TAP, MOUNTING BRACKET AND 1M OF HOSE INCLUDED
- FILLER AND CAP ON 1.6M HOSE INCLUDED
- BREATHER INCLUDES 1.6M OF HOSE
- TAP / BREATHER WILL FIT ON ANY OF THE 4 3/4" OUTLETS



UNDERNEATH VIEW



PICTORIAL VIEW

No.	DATE	BY	DESCRIPTION	APPROV.
D	05.02.09	DH	All fittings are now spinwelds.	
C	19.01.06	S.B.	Mounting brackets changed to 2x10mm bolts	S.B.
B	22.11.04	S.B.	LAYOUT ADJUSTMENT INCLUDING ACCESSORIES	S.B.
A	05.07.04	S.B.	LAYOUT ADJUSTMENT	S.B.
	05.07.04	DH	UPDATED TO LATEST DESIGN	SHAUN

GP
AUSTRALIA
GOUGH PLASTICS
Custom Rotational Moulders

Gough Industries Pty. Ltd.
833 Ingham Road
Bohle, Townsville
P.O. Box 7570, Garbutt BC, Qld. 4814.
Telephone 07 47747606
Facsimile 07 47747608
A.C.N. 010 028 547

This drawing remains the property of Gough Industries Pty. Ltd. It is subject to Gough Industries Pty. Ltd.'s recall and must not be reproduced in part or whole or it's contents divulged to third parties without prior written approval from Gough Industries Pty Limited.

Signature	Date
S.NAGY	28.08.99
DRN. CHK	
ENGINEER	
ENG. CHK	
Eng. APPROVAL	

70L Slimline Water Tank

SCALE **1:15** **A4** Gough Plastics Drg. No. **BOX405.8000-01** **D** **REV**

CONTROLLED DOCUMENT NO

CAD FILE: S:\Products\Domestic\Underbodies\70LSlimline\Sales&Marketing