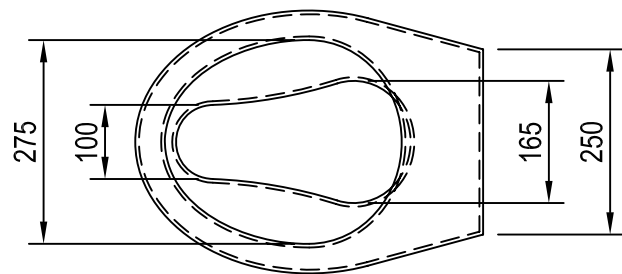
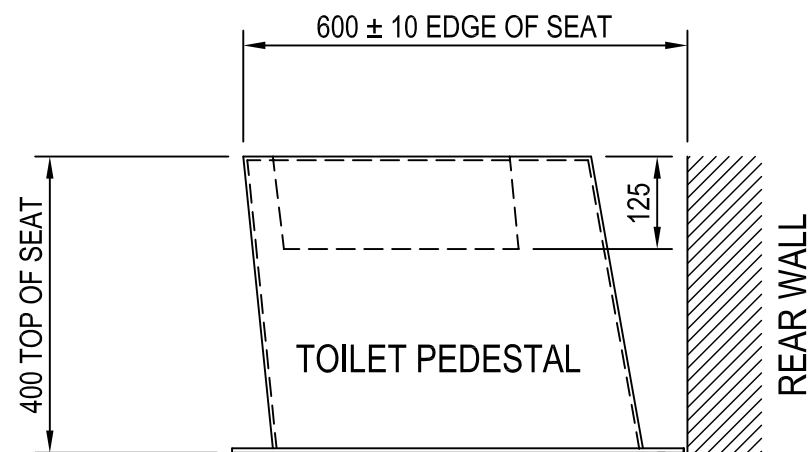


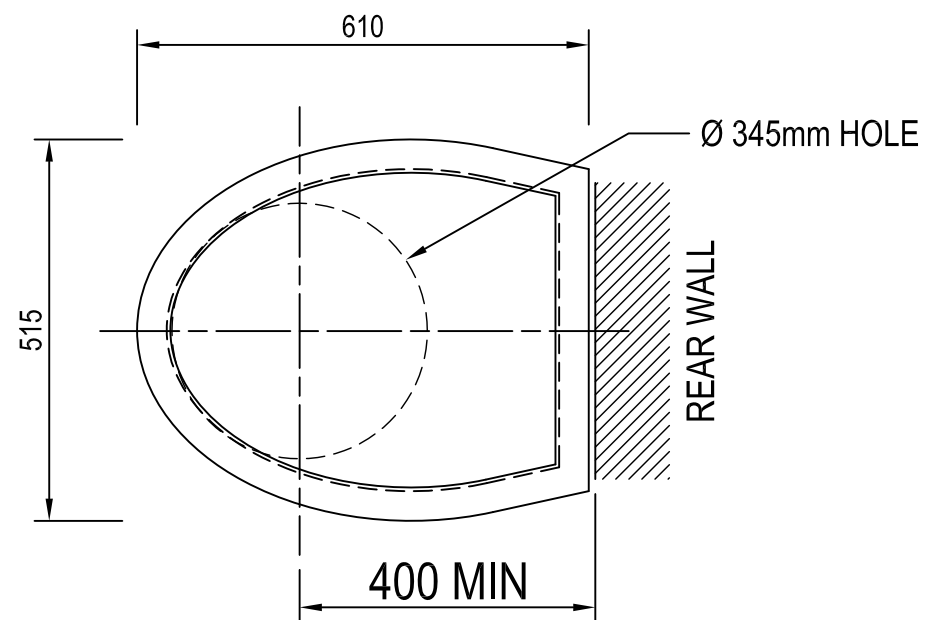
DO NOT SCALE



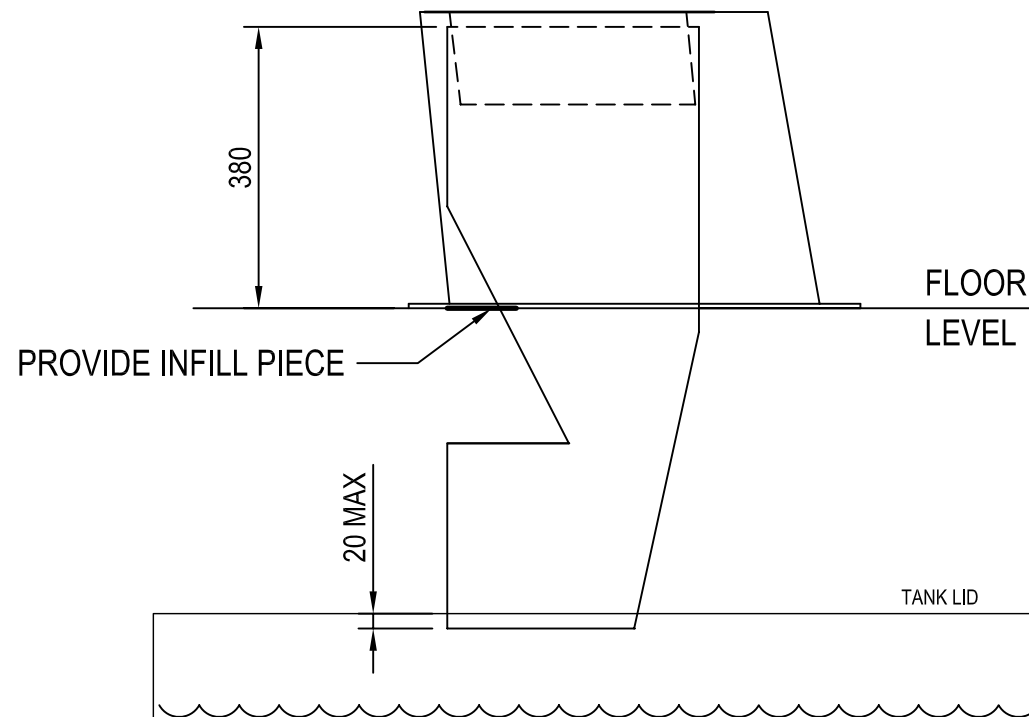
TOP VIEW



SIDE VIEW



BOTTOM VIEW



DROPPER TUBE ASSEMBLY DETAIL

No.	DATE	BY	DESCRIPTION	ENG.	GOUGH
B	FEB '11	TL	REVISED DRAWING		
A	MAR '00	CS	FIRST DRAWN		
			REVISION	CHK.	APPROV.



Gough Industries Pty. Ltd.  
 833 Ingham Road  
 Bohle, Townsville  
 P.O. Box 1258, Aitkenvale, Qld. 4814.  
 Telephone 07 47747606  
 Facsimile 07 47747608  
 A.C.N. 010 028 547

This drawing remains the property of Gough Industries Pty. Ltd.  
 It is subject to Gough Industries Pty. Ltd.'s recall and must not  
 be reproduced in part or whole or it's contents divulged to third parties  
 without prior written approval from Gough Industries Pty Limited.

	Signature	Date
DRAWN	T.LYNCH	FEB '11
DRN. CHK		
ENGINEER		
ENG. CHK		
SUBMITTED FOR APPR.		
Eng. APPROVAL		

HYBRID TOILET SYSTEM - NONFLUSH STANDARD			
PEDESTAL & DROPPER TUBE DETAILS			
SCALE	1:10	A3	Gough Plastics Drg. No.
			GTL-0000-12
EDIT DATE=			B
CAD FILE : S:\Products\Environmental\Hybrid Toilet System\Drawings\Miscellaneous			