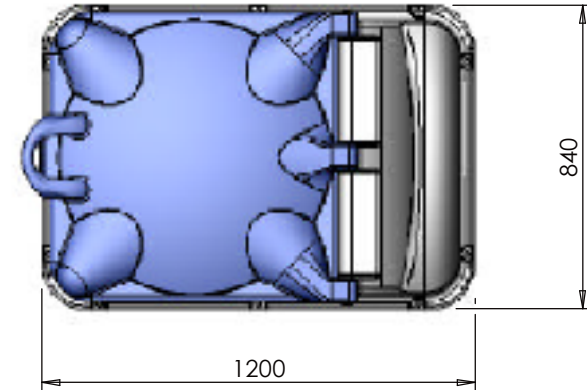


DESIGN APPLICATION No: 1311/2003

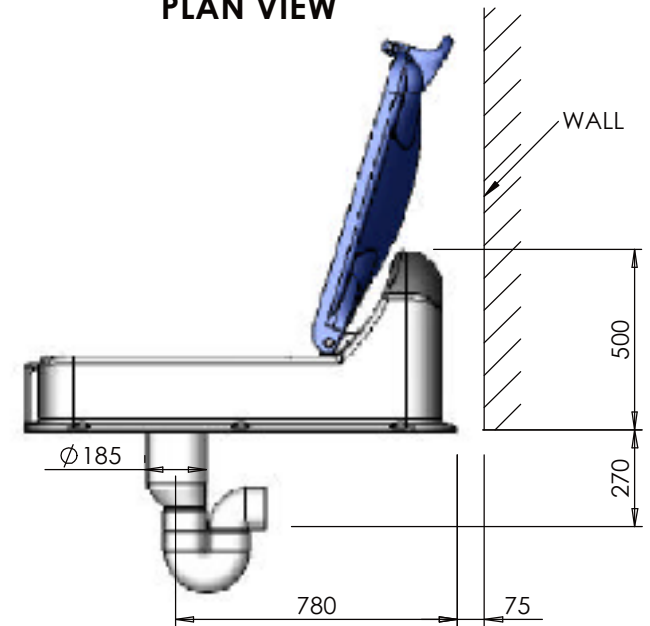
DO NOT SCALE



(FASTENING POINTS x 10)  
10mm FASTENERS  
25mm O/D WASHERS



PLAN VIEW



SIDE VIEW

E	30.09.03	S.NAGY	UPDATED FOR INSTALLATION INSTRUCTIONS	ANDREW
D	23.09.03	S.NAGY	NAME & DESIGN APPLICATION NUMBER ADDED	SHAUN
C	5.09.03	S.NAGY	MAN ADDED, ORTHOGRAPHIC VIEWS ADDED	SIMON
B	22.08.03	S.NAGY	HANDLE AND LOCKING REVISED	SIMON
A	19.08.03	S.NAGY	UPDATED TO LATEST DESIGN	SIMON
No.	DATE	BY	DESCRIPTION	GOUGH
REVISION				APPROV.



Gough Industries Pty. Ltd.  
833 Ingham Road  
Bohle, Townsville  
P.O. Box 1258, Aitkenvale, Qld. 4814.  
Telephone 07 47747608  
Facsimile 07 47747608  
A.C.N. 010 028 547

This drawing remains the property of Gough Industries Pty. Ltd. It is subject to Gough Industries Pty. Ltd.'s recall and must not be reproduced in part or whole or its contents divulged to third parties without prior written approval from Gough Industries Pty Limited.

DRAWN	Signature	Date
DRN. CHK	S.NAGY	8.07.03
ENGINEER		
ENG. CHK		
Eng. APPROVAL		
CONTROLLED DOCUMENT		NO

DUMP-EZY

ASSEMBLED PRODUCT - PICTORIAL VIEW

SCALE 1:20

Gough Plastics Drg. No.  
ENV905.0000-01

E

CAD FILE:

H:\ENVIRONMENTAL PRODUCTS\DUMP-EZY\