

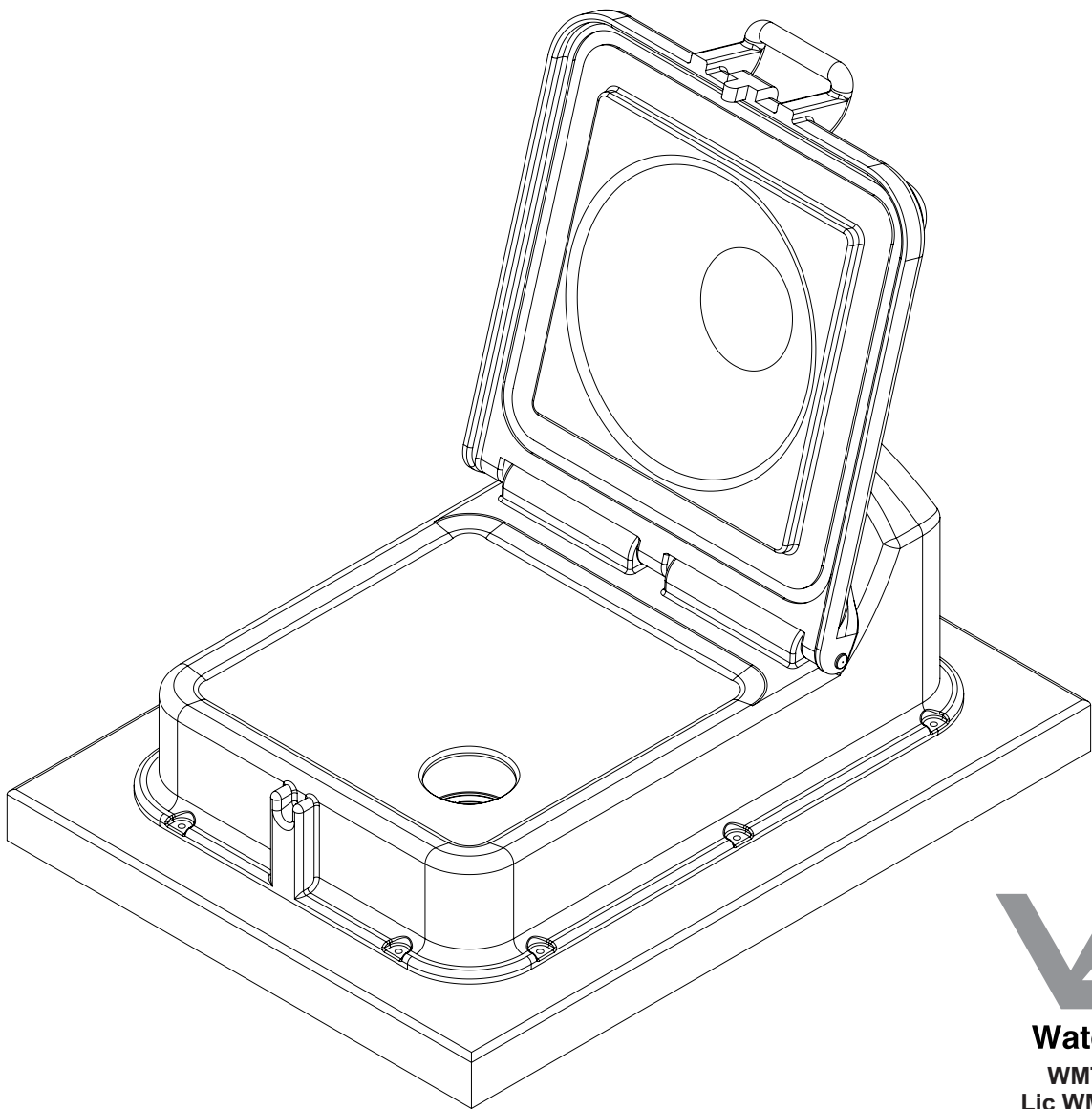


# DUMP-EZY

## CLASSIC

### FENV905.0000

#### Installation & Usage Instructions



**WaterMark**

WMTS - 482

Lic WMKT 21102

**GOUGH**  
**PLASTICS**

# Installation Guidelines

## Site Location

When selecting a site to install the Dump-Ezy, consideration should be given to traffic in and around the area. Dump-Ezy should be installed away from high traffic areas to ensure user safety. Consideration should be given to any nearby features such as toilet blocks, tables, play grounds etc. Side access roads/isolated pull-over bays are ideal.

## Barriers

Physical barriers such as concrete curbing, metal railings, treated pine stumps etc can prevent vehicles and similar from coming in contact with the Dump-Ezy. These should be positioned in a way that still allows clear access for persons and hoses/cartridges.

## Signage

Adequate signage should also be installed to make people visibly aware of the Dump-Ezy. Ask your local agent how to get them.

## Hose Wash Down

A tap and hose should be provided next to installations to enable wash down with each use. This ensures a nice clean unit is maintained.

## Drainage

Adequate drainage should be provided in and around the Dump-Ezy to prevent infiltration from high rainfall, runoff etc.



Typical Installation



Note: Install the Dump-Ezy lower than vehicle outlet height shown so waste can drain through hose via gravity.

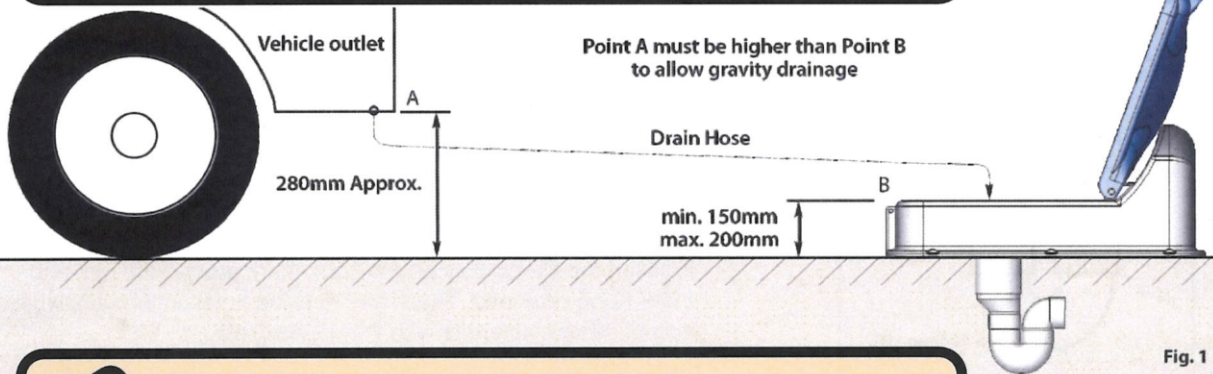


Fig. 1



Note: Install the Dump-Ezy within reach of the access road so people with drain hoses can also reach.

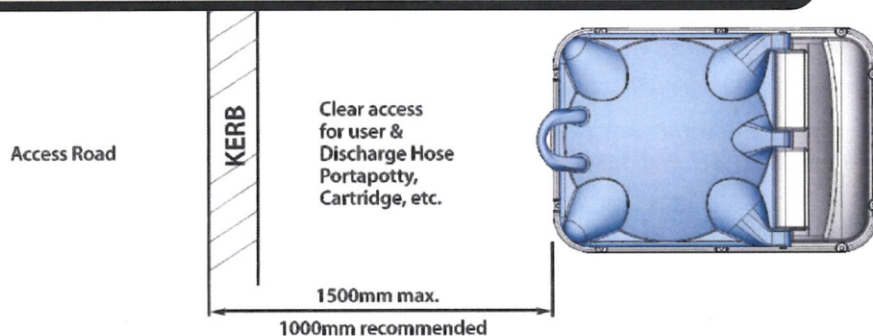
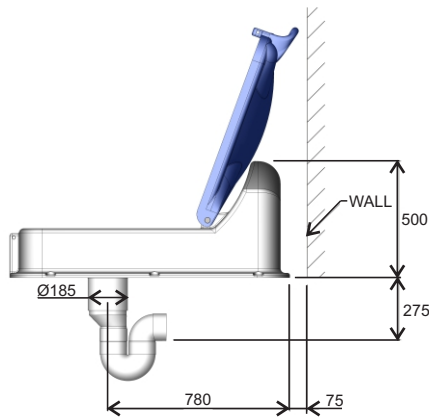
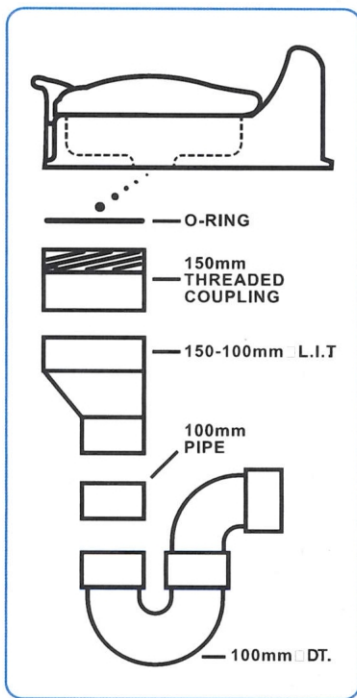


Fig. 2





**Note:** The minimum height from invert level of the outlet to the underside of the unit is 270mm.



Required pipework assembly details  
o-ring is supplied.

## Pipework and Fittings

Pipework and fittings should be checked as per standard plumbing guidelines.

Fittings should be inspected for leaks at joints and tank connections. If a backflow prevention device is installed on the hose cock, it will require inspection and certification under AS 3500.

## Locking

If required, the Dump-Ezy unit has an in-built locking point at the front below the handle. The lock required to fit the unit is a "Lockwood" Product Code No. 234/45. This lock can be keyed alike.

## Installation Instructions

All installations should comply with AS/NZS 3500.2.2 Section 3.15 and all fittings should be watermarked.

If you are installing a septic tank system, transfer station or a treatment plant, please also refer to the instructions provided with these kits.

The Dump-Ezy can be bolted to an existing floor surface or cast into a concrete slab.

## Set in Concrete Option

- Locate the o-ring supplied and fit it into the groove at the underside of the outlet.
- Install the 150mm coupling by screwing it firmly up against the o-ring. Do not over-tighten.
- Assemble pipe work as per details supplied on the underside of the unit and on diagram.
- Bed plumbing as per Standard to correct height for coupling.
- Set formwork such that the Dump-Ezy is level and will be set into the slab no more than 50mm. The slab should have fall-away from the unit. For compliance with the Plumbing Standard, the minimum height of wall above ground must be 150mm.
- Pour concrete and finish with brushed surface for wet area safety.

## Bolted Option

- Position the outlet piping in with the correct minimum set-out distance from the inside face of the wall.
- The minimum hole size required in the floor is 185mm Dia.
- The unit must be installed on a flat and level surface.
- Locate the o-ring supplied and fit it into the groove at the underside of the outlet.
- Install the 150mm coupling by screwing it firmly up against the o-ring. Do not over-tighten.
- Assemble pipe work as per details supplied on the underside of the unit and on diagram.
- Position the Dump-Ezy on the floor, mark around the unit and mark fixing positions. There are 10 fixing holes in the unit, which accept 10mm fasteners with 25mm washers.
- Place a large bead of caulking material on the floor just inside the line. Complete the pipe joint and then fix the unit in position. Clean up any excess caulking material.

**Note:** All mechanical fixings should be stainless steel.

## Maintenance and Cleaning

The use of harsh abrasive anti-bacterial toilet cleaners is not recommended.

The Dump-Ezy is the entry point for a waste treatment system, which is a living biological process. The waste is biologically broken down and reduced to a useful and disposable state. Anti-bacterial and strong chemical cleaners have the potential to kill or severely reduce the effectiveness of the living treatment system if poured into the unit.

The surface of the Dump-Ezy unit should only be cleaned with non-abrasive cleaning products as follows:

### Cleaning Method

The Dump-Ezy should be cleaned at least twice weekly with a soft brush and a septic-safe cleaning product. Hose down the general area.

### Sludge Management

If your Dump-Ezy unit is connected to a septic tank, you will need to monitor the sludge level in the tank. A sludge gauge can be used to determine when the disposal is required and a regular interval can be established if usage is reasonably regular.

### Questions

Should you have any problems with installation of this unit, please do not hesitate to contact:

Gough Plastics on Freecall 1800 069 805, (International +61 7 4774 7606) or your local Agent. Alternatively you can find information on the Dump-Ezy at [www.gough.com.au](http://www.gough.com.au).



Setting The Standard In User-Friendly Dump Points

